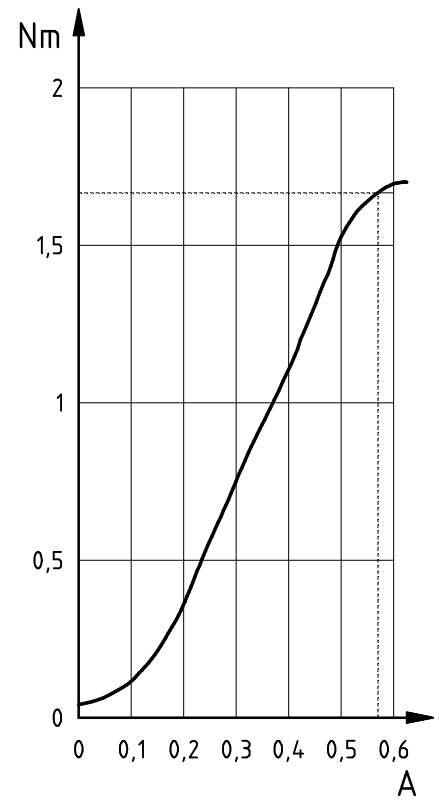
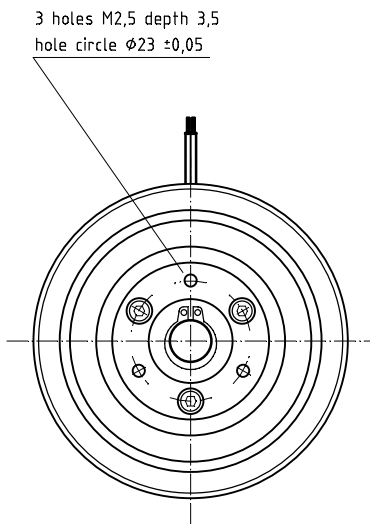
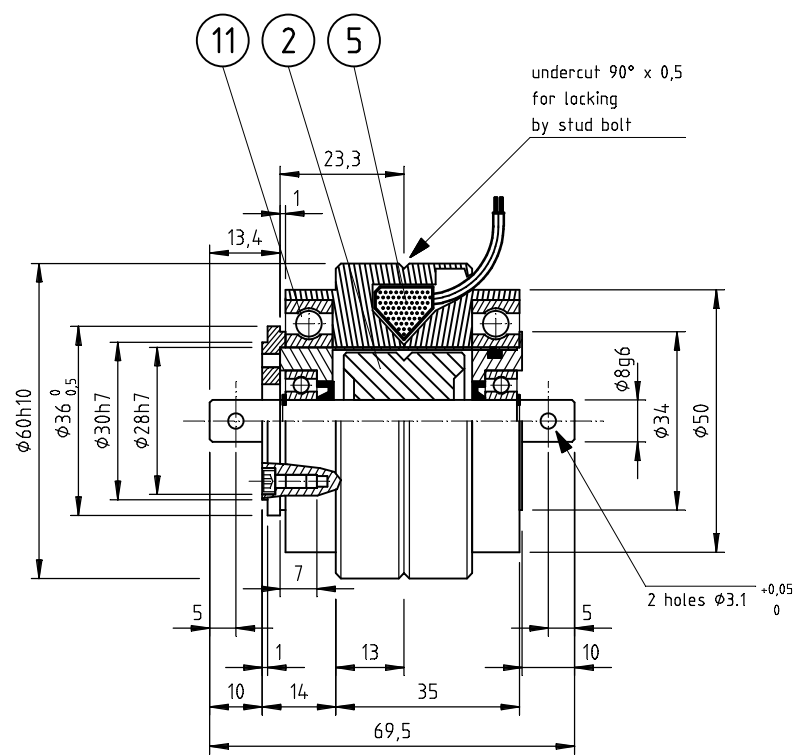


A
B
C
D



Only applicable for horizontal shaft position !

In order to avoid magnetic leakage flux and to achieve a good heat removal, non-ferrous metals should be used for installation or attachment of auxiliary components (not for drive shaft).

note :
In brake applications, the drum- type rotor is blocked!

dimensions and specifications subject to change

rated torque	residual torque	field values			resistance at 20°C	operating times		axial force is inadmissible			admissible max. radial force: N		
		maximum values		rated current				max. admissible power loss			mass moment of inertia		weight
M_{max} [Nm]	M_{res} [Nm]	P [W]	U [V]	I_N [A]	R [Ω]	t_{on} [ms]	t_{off} [ms]	P_V [W]	P_V [W]	P_V [W]	J [kgm ²]	J [kgm ²]	
1,7	0,03	16	24	0,57	37	130	60	30	30	30	-	$7,8 \cdot 10^{-6}$	0,70

item	amount	parts
2	1	Internal rotor, cpl. with external / drum- type rotor
5	1	Coil winding 24VDC with case
11	2	External ball bearing